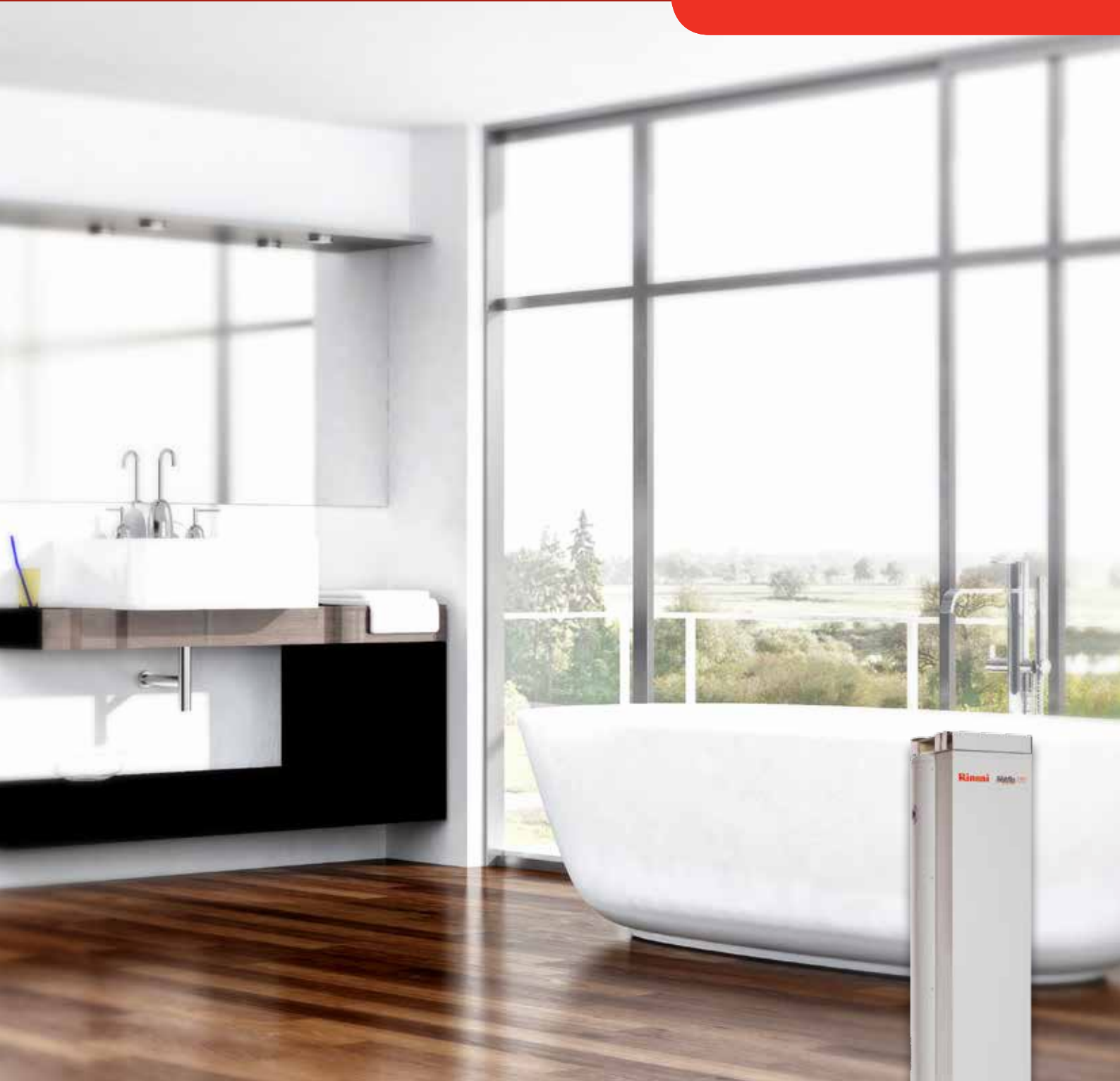


Hotflo

Gas Storage Hot Water

Rinnai

Relax. It's a Rinnai.



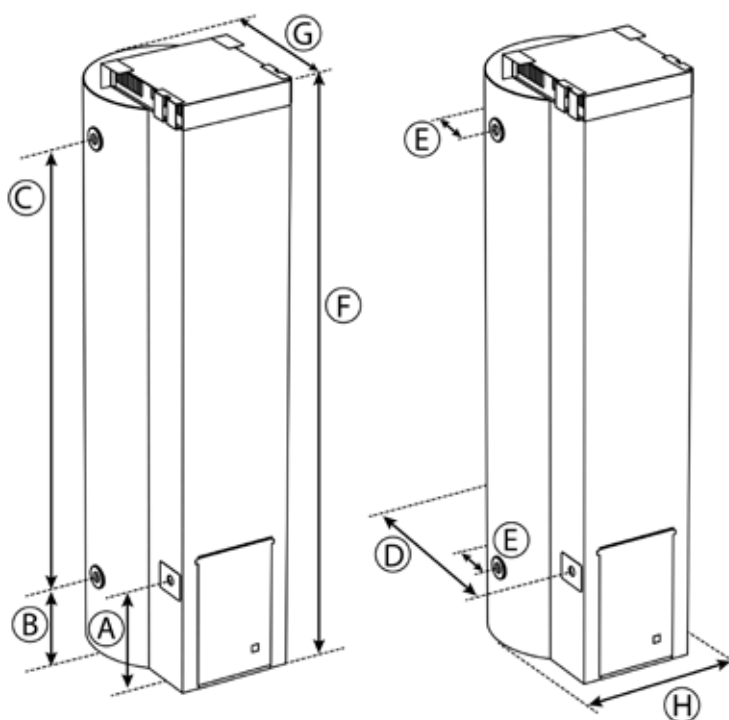
Installation as fast and easy as the hot water it produces.

Rinnai proudly introduce the Hotflo range of 4 Star Gas Storage Hot Water Systems. Designed to be a quick and easy replacement for your existing 3 or 4 star gas storage system, the Rinnai Hotflo range offers you a choice of 135 or 170 litre storage capacities and delivers mains pressure hot water to multiple taps at once.

Rinnai have optimised gas consumption to reduce energy usage without compromising on performance. This allows for sufficient first hour delivery and recovery capability whilst maintaining the life expectancy of the water heater. Rinnai are so confident in the performance and longevity of this product they stand behind it with a comprehensive 8 year warranty on the internal cylinder.

Features and Benefits

- > Storage capacity – 135 and 170 litres
- > 8 year cylinder warranty
- > 4 Star energy rating
- > Vitreous enamel lined steel tank
- > Inbuilt anode protection
- > Pressure temperature relief valve supplied
- > External use only
- > Thermostatically controlled with safety temperature shut off for added peace of mind
- > Hard water anode available



Specifications

Model	135L	170L
Product Code	GHF4135	GHF4170
Star Rating	4.7	4
Installation Type	External	
First Hour Delivery (L)	209	257
Recovery Rate @ 45°C rise (L/hr)	74	87
Hourly Gas consumption NG (MJ/hr)	17	20.5
Weight Empty (kg)	68	83
Relief Valve Setting (kPa)	1000	
Max Water Supply without ECV (kPa)	800	
Max Water Supply with ECV (kPa)	680	
Recommended ECV (kPa - if required)	850	
Recommended PLV (kPa - if required)	500	
Water Connections	Rp ¾ / 20"	
Gas Connection	Rp ½ / 15"	
Warranty years (cylinder)	8	
Warranty years (parts and labour)	1	

Dimensions

Model		135L	170L
F	Height (mm)	1579	1915
H	Width (mm)	420	
G	Depth (mm)	508	
C	Hot height (from cold inlet) (mm)	988	1213
B	Cold height (from ground) (mm)	328	403
C + B	Hot height (from ground) (mm)	1316	1616
A	Gas height (mm)	276	
D	Gas depth (mm)	459	
E	Water depth (mm)	210	

Dealer Details:

Rinnai Australia Pty Ltd

ABN 74 005 138 769

100 Atlantic Drive,
Keysborough, Victoria 3173

For further information visit

www.rinnai.com.au

or call 1300 555 545

Rinnai
Relax. It's a Rinnai.